

SERVICE

2554B, 2554BM, 2554BMP, AND 2554BMPG TELEPHONE SETS

CONNECTIONS

1. GENERAL

1.01 This section contains information for the 2554B (MD) (Fig. 1 and 2), 2554BM (MD) (Fig. 3 and 4), 2554BMP (Fig. 5, 6, 7, 8, 13, 14, 15, and 16), and 2554BMPG (Fig. 9, 10, 11, 12, 13, 14, 15, and 16) telephone sets.

1.02 This section is being reissued to add information on the 2554BMPG telephone set equipped with 72-type dial, Fig. 13, 14, 15, and 16. Revision arrows are used to emphasize the more significant changes.

1.03 When end-to-end signaling is provided, install a 2554BMPG set or add a D-180896 Kit of Parts (polarity guard) to a 2554B, 2554BM, or 2554BMP set. Refer to Table A for polarity guard connection information and Section 502-503-101 for installation information.

1.04 ♦Early version 2554BMPG telephone sets are equipped with a 35-type dial plus a polarity guard, later version 2554BMPG telephone sets will be

equipped with a 72-type dial with a built-in polarity guard. Refer to Table D modifications when replacing 35-type dial with a 72-type dial. Refer to Section 502-503-101 for additional information on 72-type dial when used with 2554-type telephone sets.♦

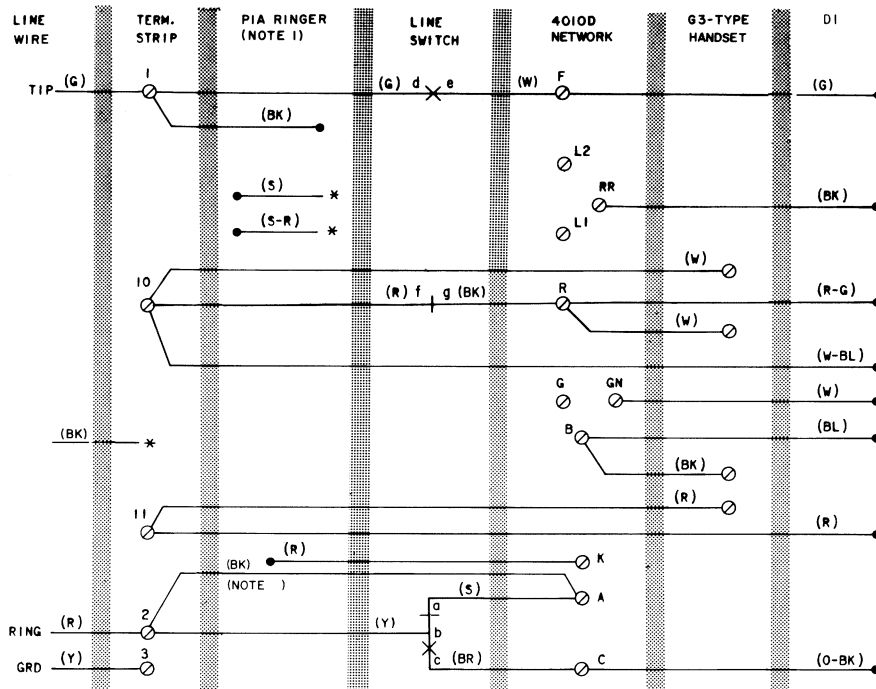
1.05 Refer to Tables B or C for line and ringer connections for sets equipped with 4010D or 4228-type network.

1.06 Refer to Fig. 6, 8, 10, or 12 for set modifications when set is equipped with 35-type dial and modified for A-lead control.

1.07 If a 28A ringer isolator is required, refer to the appropriate table in Section 501-375-101 for connection information. If a 603A ringing extender is required, refer to Section 501-380-102 for connection information. Whenever four party full selective or eight party semiselective ringing is required, refer to Section 501-320-100 for D-180697 Kit of Parts information.

NOTICE

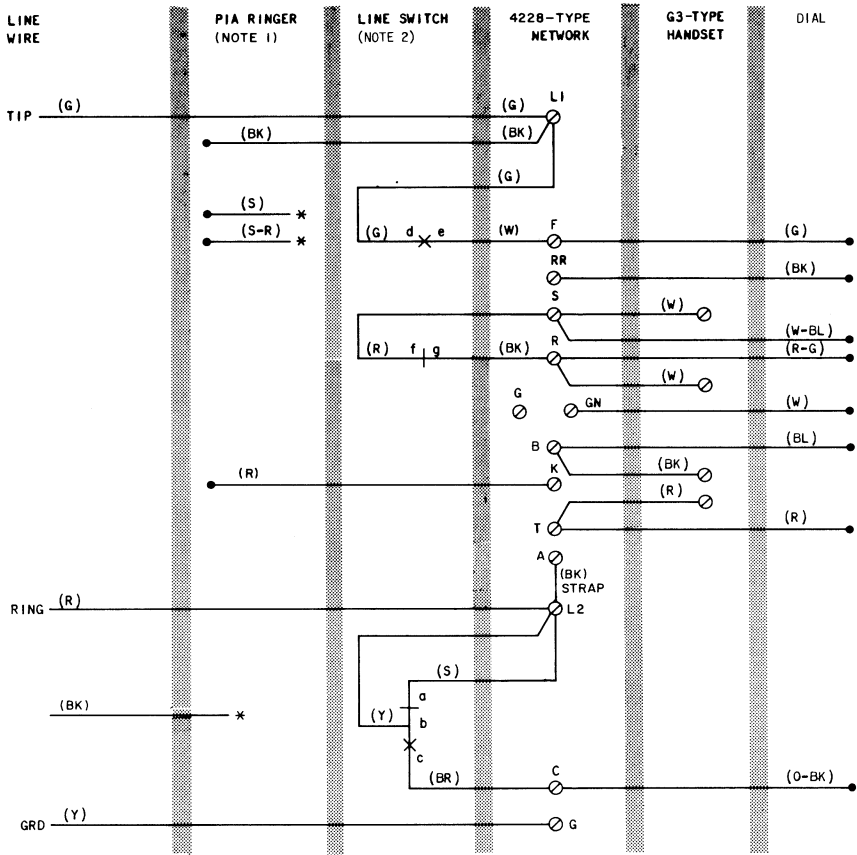
Not for use or disclosure outside the
Bell System except under written agreement



NOTES:

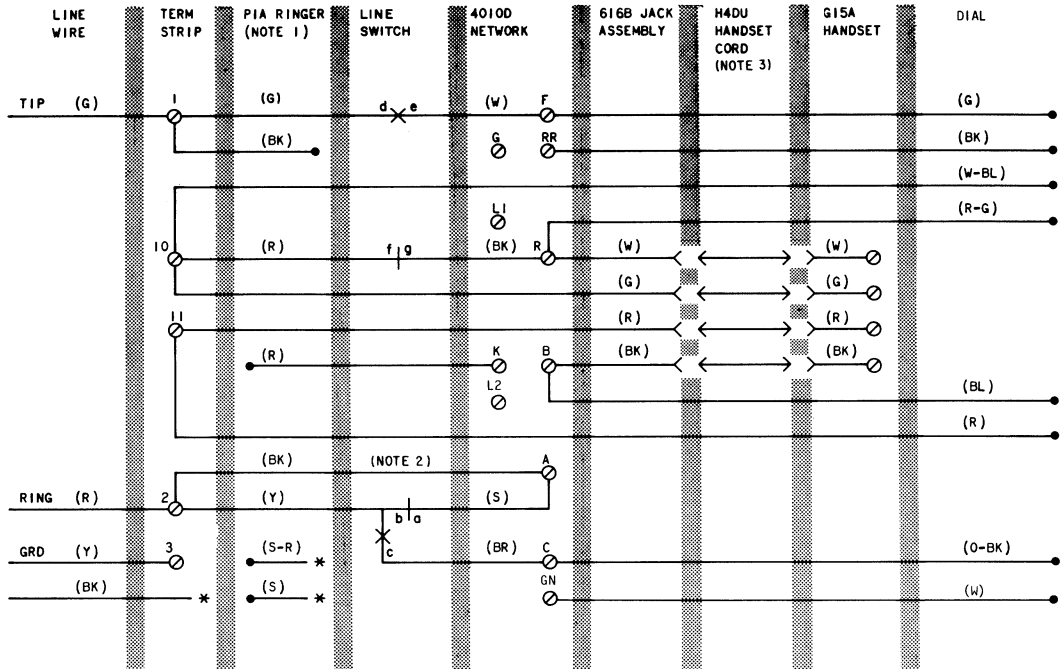
1. WIRED FOR BRIDGED RINGING, REFER TO TABLE B FOR ALL OTHER CLASSES OF SERVICE.
 2. STRAP ON LATER VERSION ONLY.
- * INSULATED AND STORED

Fig. 1 — 2554B (MD) Telephone Set Equipped With 4010D Network and 35-Type Dial, Connections



- NOTES:
1. WIRED FOR BRIDGED RINGING, REFER TO TABLE C FOR ALL OTHER CLASSES OF SERVICE.
 2. ON SOME SETS (S) LINE SWITCH LEAD IS CONNECTED TO A OF NETWORK.
- * INSULATED AND STORED.

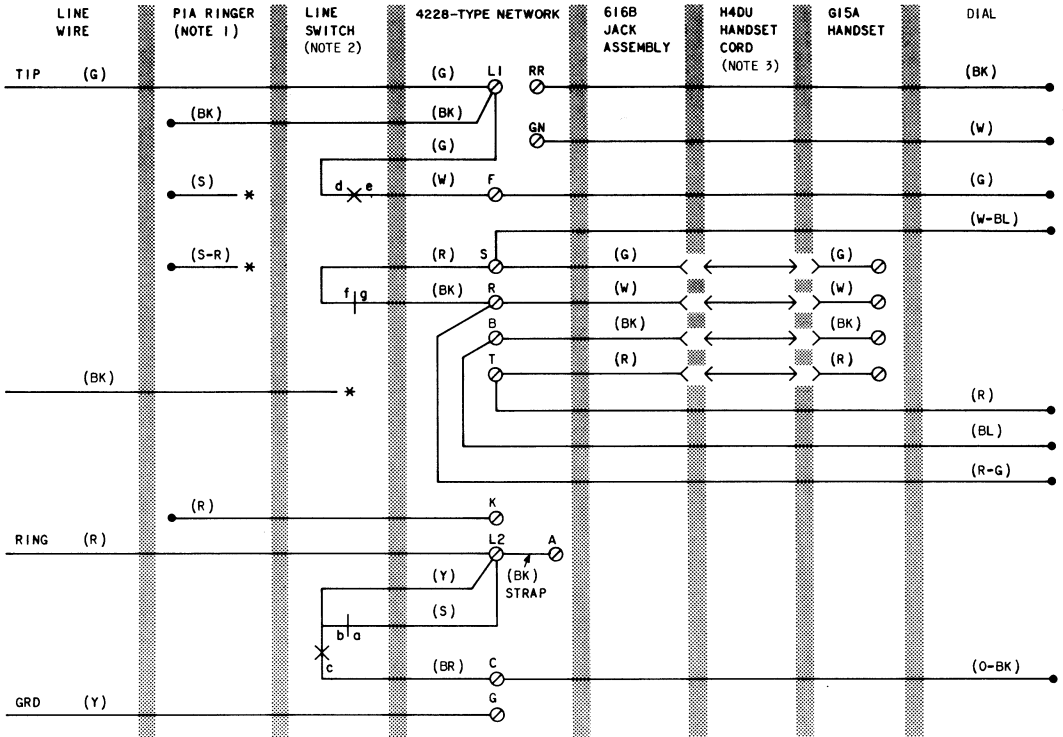
Fig. 2—2554B (MD) Telephone Set Equipped With 4228K Network and 35-Type Dial Connections



NOTES:

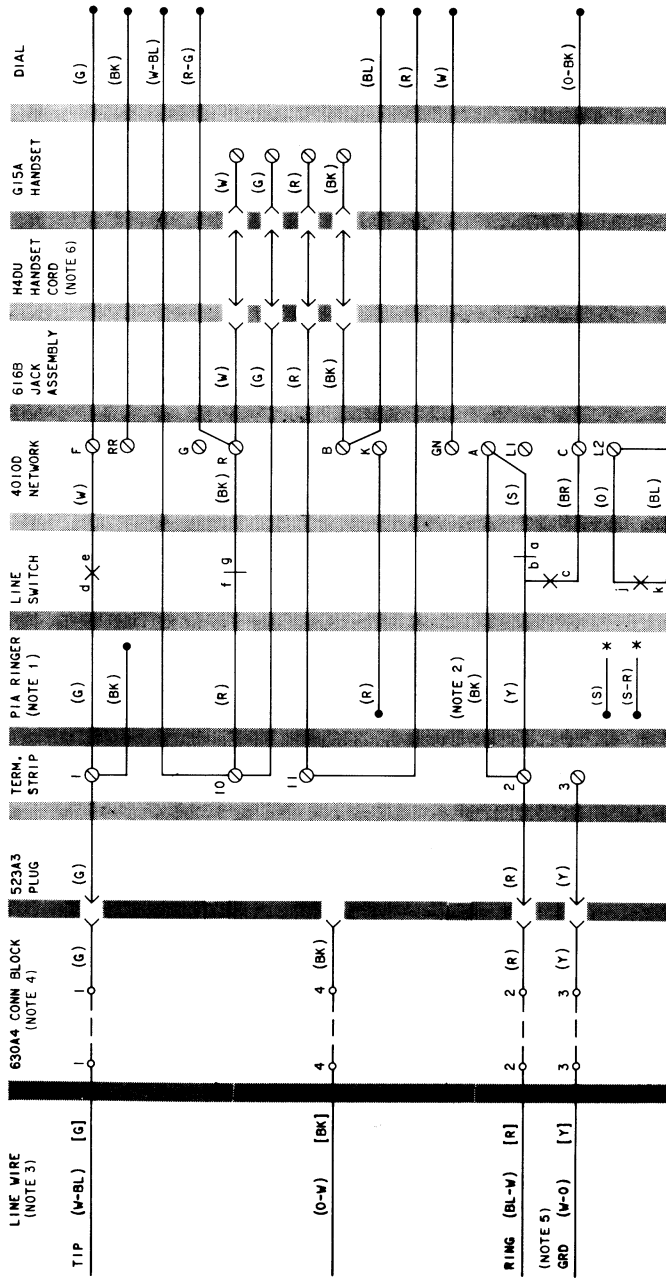
1. WIRED FOR BRIDGED RINGING, REFER TO TABLE B FOR ALL OTHER CLASSES OF SERVICE.
 2. STRAP ON LATER VERSION ONLY.
 3. H4DU CORD MUST BE ORDERED SEPARATELY.
- * INSULATED AND STORED

Fig. 3—2554BM (MD) Telephone Set Equipped With 4010D Network and 35-Type Dial, Connections



- NOTES:
1. WIRED FOR BRIDGED RINGING, REFER TO TABLE C FOR ALL OTHER CLASSES OF SERVICE.
 2. ON SOME SETS (S) LINE SWITCH LEAD IS CONNECTED TO A OF NETWORK.
 3. H4DU CORD MUST BE ORDERED SEPARATELY.
- * INSULATED AND STORED.

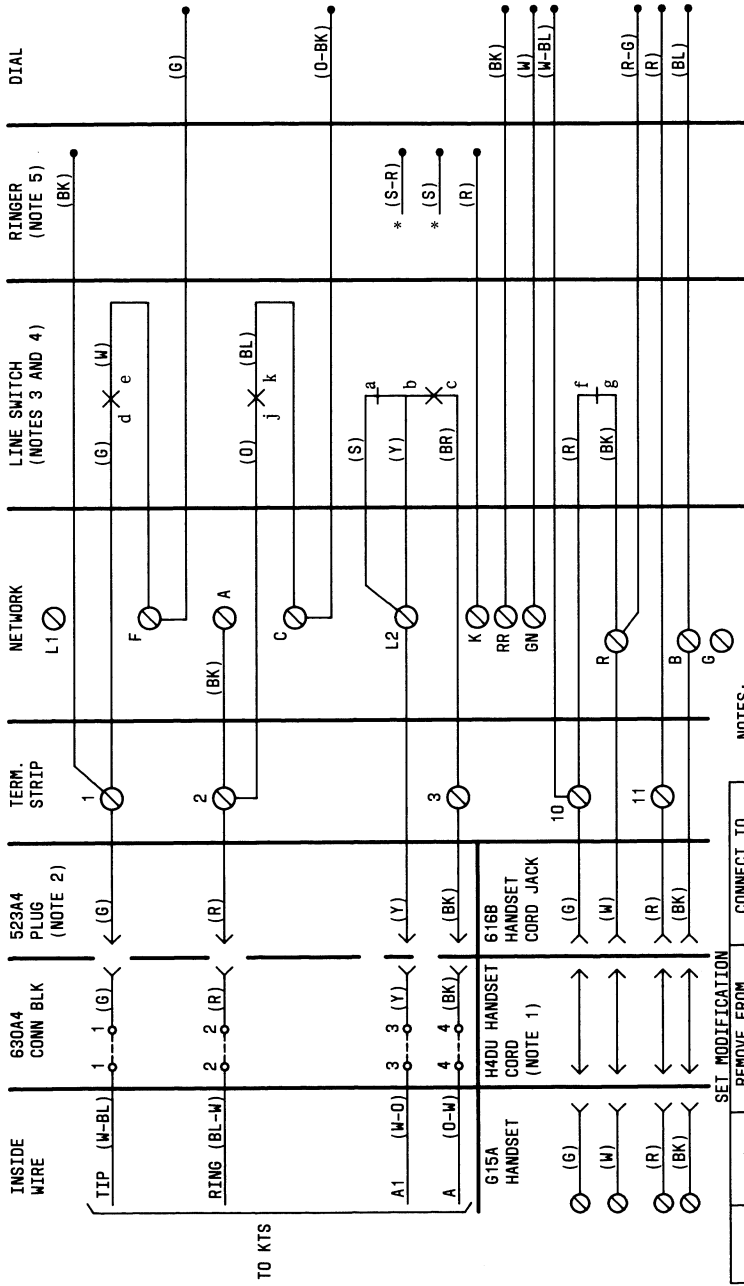
Fig. 4—2554BM (MD) Telephone Set Equipped With 4228K Network and 35-Type Dial, Connections



NOTES:

1. WIRED FOR BRIDGED RINGING, REFER TO TABLE B FOR ALL OTHER CLASSES OF SERVICE.
2. STRAP ON CURRENT VERSION ONLY.
3. () INSIDE WIRE COLOR CODE
4. QUICK CONNECT TERMINALS ON 650A4 CONN BLOCK.
5. INSIDE WIRE CONDUCTOR SHALL BE CONNECTED TO THE GROUND TERMINAL AT THE PROTECTOR OR EQUIVALENT ONLY IF REQUIRED FOR SERVICE BEING INSTALLED.
6. H4DU CORD MUST BE ORDERED SEPARATELY.

Fig. 5—2554BMP Telephone Set Equipped With 4010D Network and 35-Type Dial, Connections



TO KTS

NOTES:

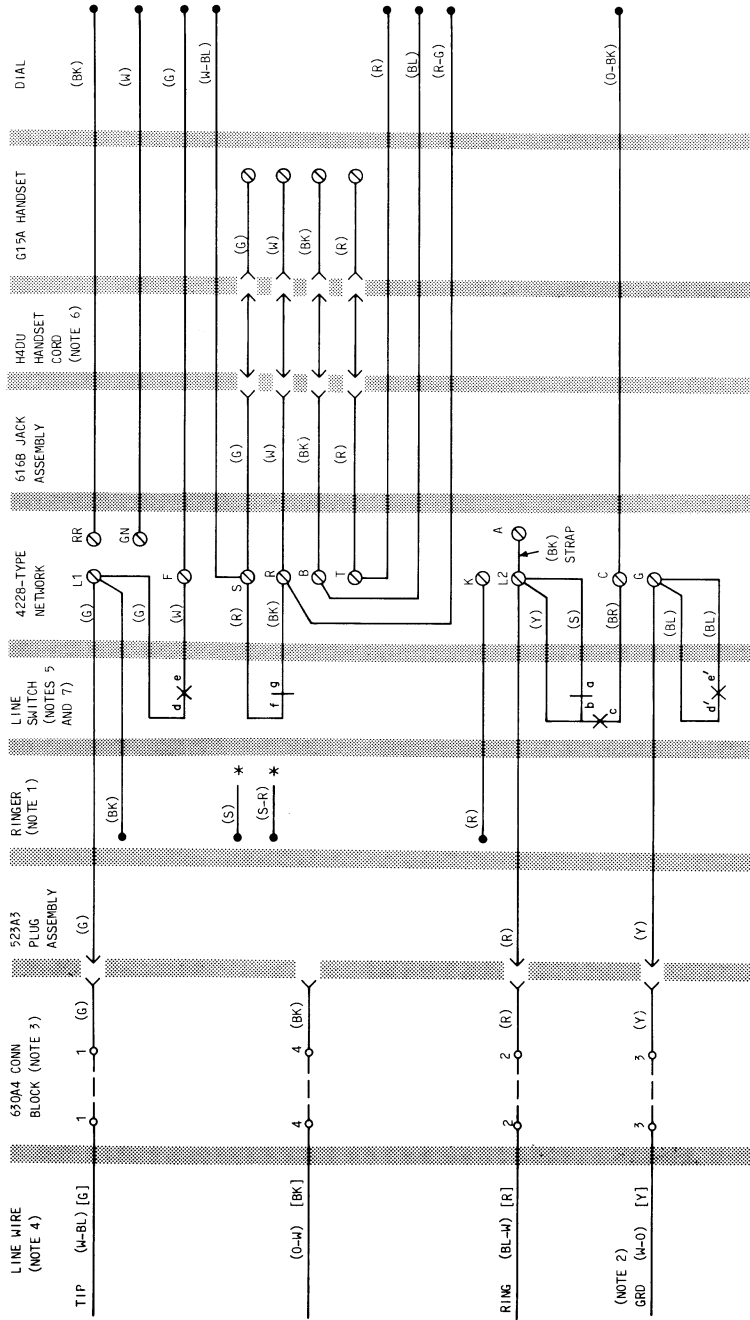
1. H4DU CORD MUST BE ORDERED SEPARATELY.
2. REPLACE 523A3 PLUG WITH 523A4 PLUG, ORDERED SEPARATELY.
3. TO PREVENT FALSE HOLD CONDITION WHEN GOING ON-HOOK, THE TIP AND RING CONTACTS OF THE LINE SWITCH MUST BREAK BEFORE "A" LEAD CONTACTS. (FIELD ADJUSTMENT OF LINE SWITCH NOT RECOMMENDED).
4. IF SET DOES NOT HAVE (O) AND (BL) LINE SWITCH LEADS, CONNECT A (BK) STRAP BETWEEN C ON NETWORK AND TERMINAL 2.
5. WIRED FOR INDIVIDUAL OR BRIDGED RINGING.

* INSULATE AND STORE

SET MODIFICATION

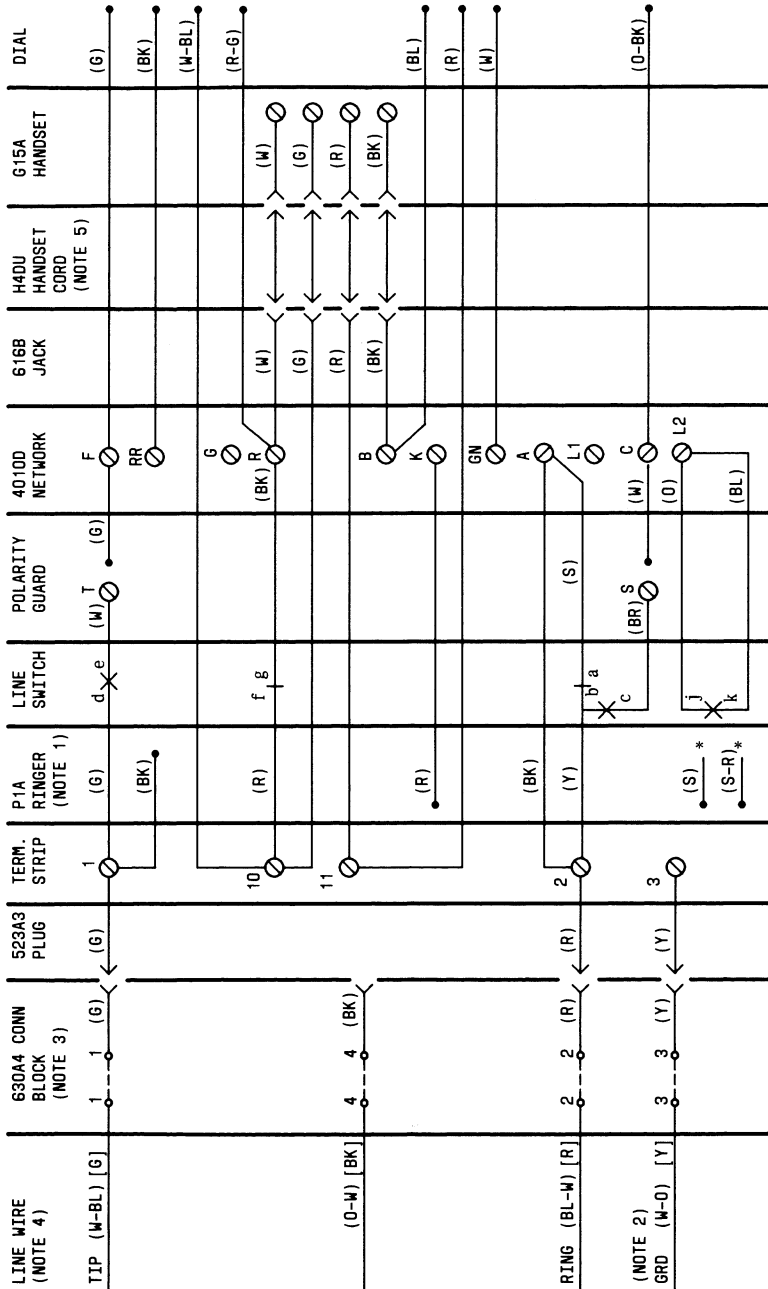
LEAD	COLOR	REMOVE FROM		CONNECT TO	
		TERM. STRIP NET.	TERM. STRIP NET.	TERM. STRIP NET.	TERM. STRIP NET.
523A4 PLUG (NOTE 2)	G (TIP)			1	
	R (RING)			2	L2
	Y (A1)			3	L2
	BK (A)				L2
LINE SWITCH (NOTE 4)	S		A		
	Y		2		
	BR		C		
	O		L2	2	C
	BL		L2		

Fig. 6—2554BMP Telephone Set Equipped With 4010D Network and 35-Type Modified for A-Lead Control



- NOTES:
1. WIRED FOR BRIDGED RINGING, REFER TO TABLE C FOR ALL OTHER CLASSES OF SERVICE.
 2. LINE WIRE CONDUCTOR SHALL BE CONNECTED TO THE GROUND TERMINAL AT THE PROTECTOR OR EQUIVALENT ONLY IF REQUIRED FOR SERVICE BEING INSTALLED.
 3. QUICK CONNECT TERMINALS ON 650A4 CONN BLOCK.
 4. () INSIDE WIRE COLOR CODE
[] D-STATION WIRE COLOR CODE
5. ON SOME SETS (S) LINE SWITCH LEAD IS CONNECTED TO A OF NETWORK.
 6. H4DU CORD MUST BE ORDERED SEPARATELY.
 7. CURRENT PRODUCTION SETS HAVE CONTACTS d' - e' AND ASSOCIATED (BL) LEADS.
* INSULATED AND STORED

Fig. 7 — 2554BMP Telephone Set Equipped With 4228K Network and 35-Type Dial, Connections



- NOTES:
1. WIRED FOR BRIDGED RINGING, REFER TO TABLE B FOR ALL OTHER CLASSES OF SERVICE.
 2. INSIDE WIRE CONDUCTOR SHALL BE CONNECTED TO THE GROUND TERMINAL AT THE PROTECTOR OR EQUIVALENT ONLY IF REQUIRED FOR SERVICE BEING INSTALLED.
 3. QUICK CONNECT TERMINALS ON 630A4 CONN BLOCK.
 4. () INSIDE WIRE COLOR CODE
 5. H4DU CORD MUST BE ORDERED SEPARATELY.
- * INSULATED AND STORED

Fig. 9—2554BMPG Telephone Set Equipped With 4010D Network, and 35-Type Dial, Connections

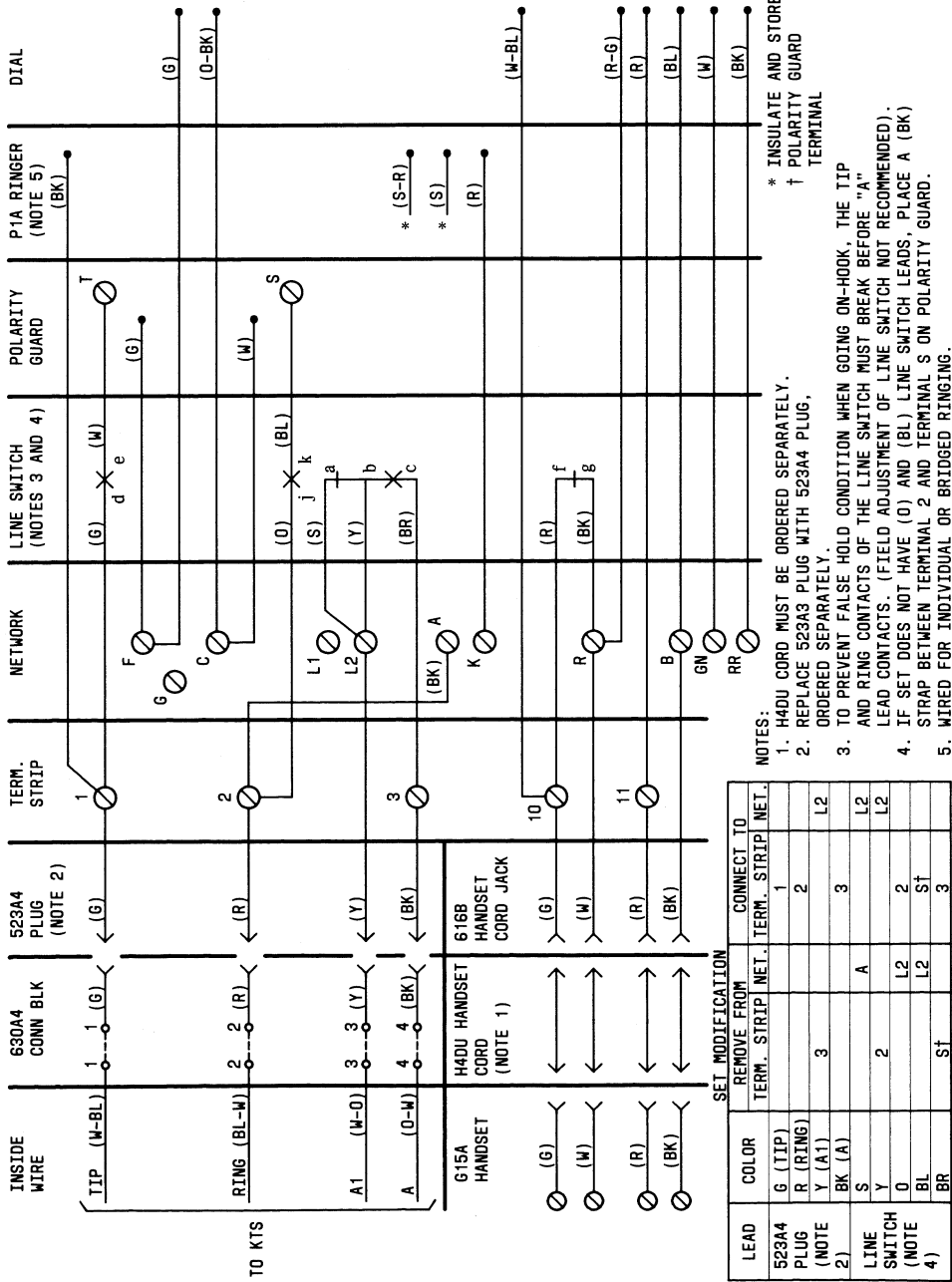
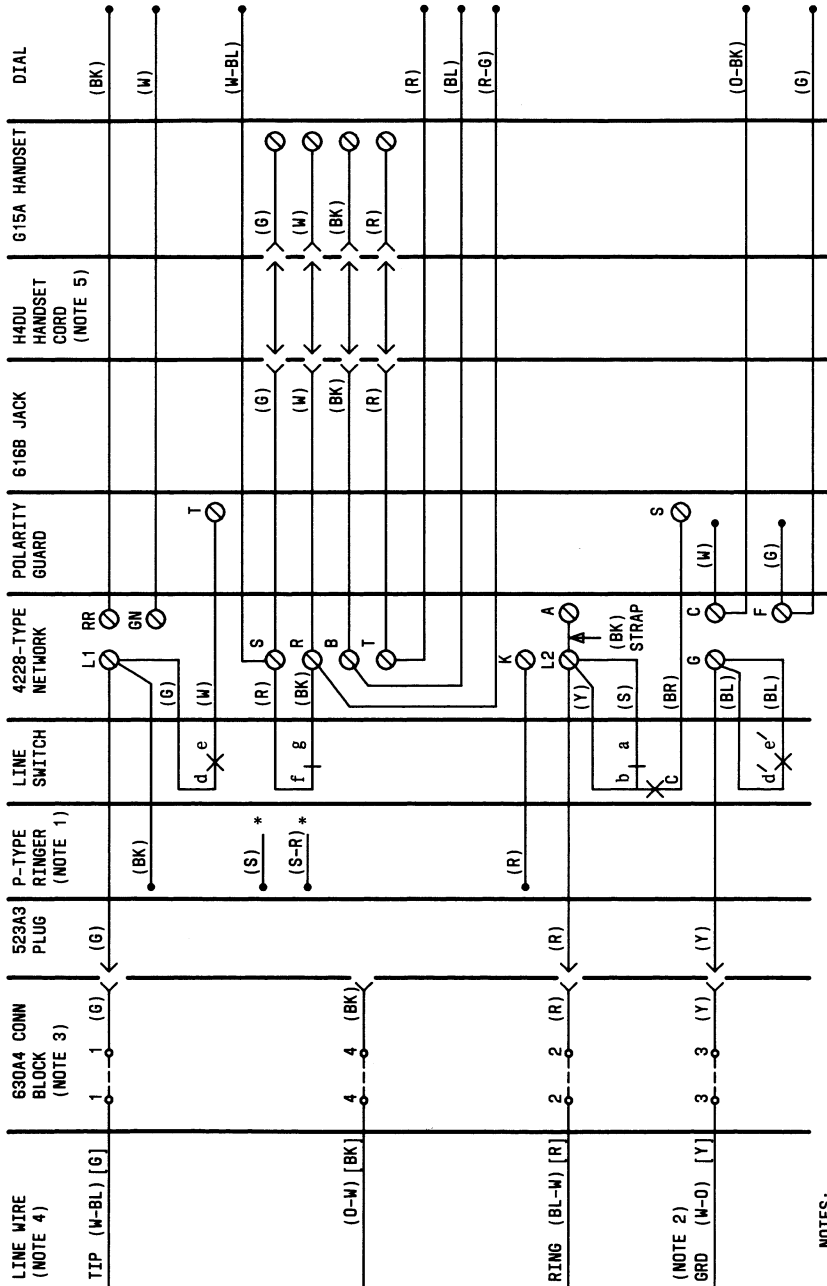
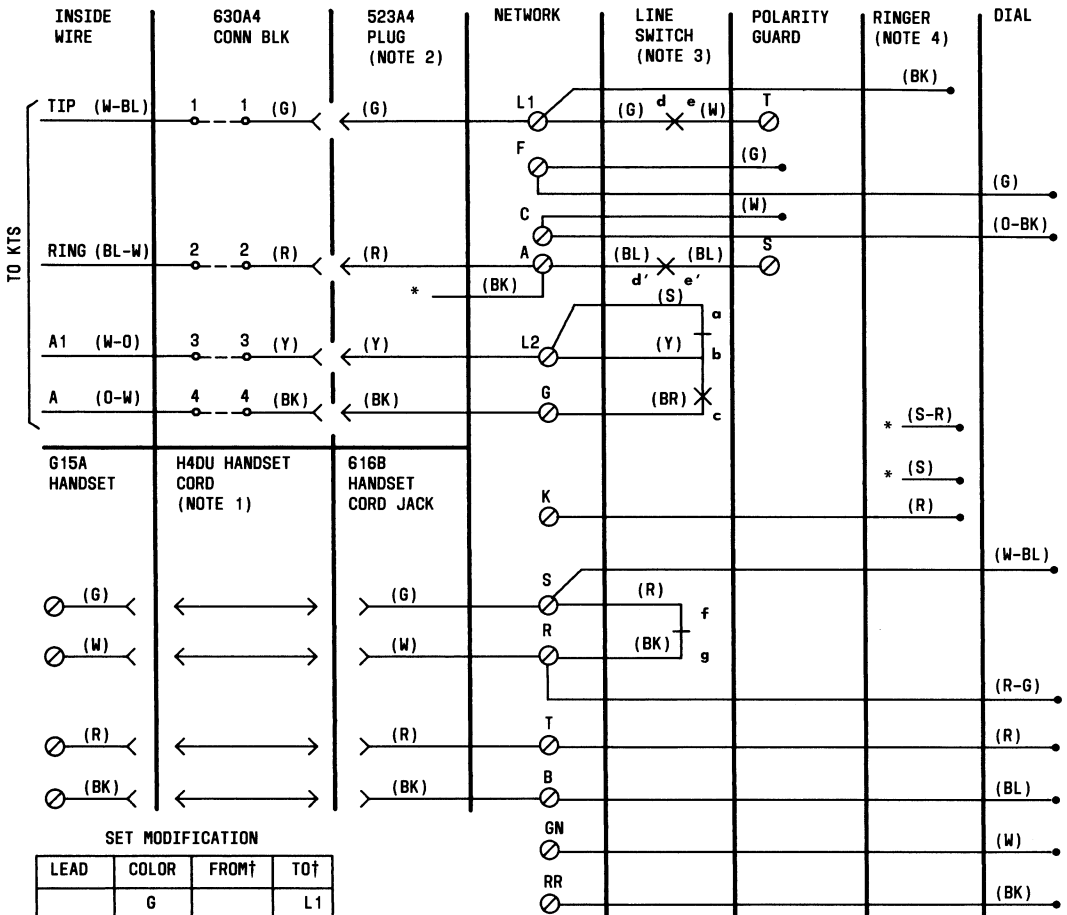


Fig. 10 — 2554BMPG Telephone Set Equipped With 4010D Network and 35-Type Dial Modified for A-Lead Control



- NOTES:
1. WIRED FOR BRIDGED RINGING, REFER TO TABLE C FOR ALL OTHER CLASSES OF SERVICE.
 2. INSIDE WIRE CONDUCTOR SHALL BE CONNECTED TO THE GROUND TERMINAL AT THE PROTECTOR OR EQUIVALENT ONLY IF REQUIRED FOR SERVICE BEING INSTALLED.
 3. QUICK CONNECT TERMINALS ON 630A4 CONN BLOCK.
 4. () INSIDE WIRE COLOR CODE
() D-STATION WIRE COLOR CODE
 5. H4DU CORD MUST BE ORDERED SEPARATELY.
*INSULATED AND STORED

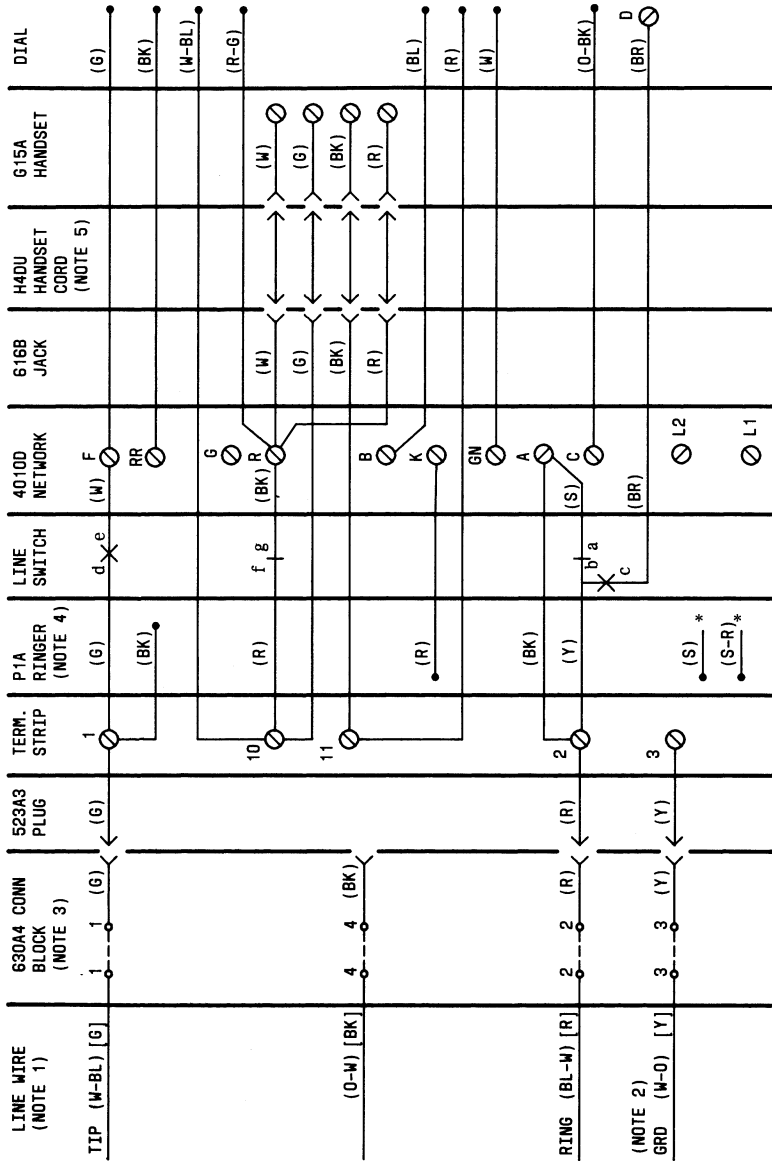
Fig. 11—2554BMPG Telephone Set Equipped With 4228K Network, Connections



- NOTES:
1. H4DU CORD MUST BE ORDERED SEPARATELY.
 2. REPLACE 523A3 PLUG WITH 523AA PLUG, ORDERED SEPARATELY.
 3. TO PREVENT FALSE HOLD CONDITION WHEN GOING ON-HOOK, THE TIP AND RING CONTACT OF THE LINE SWITCH MUST BREAK BEFORE "A" LEAD CONTACTS. (FIELD ADJUSTMENT OF LINE SWITCH NOT RECOMMENDED).
 4. WIRED FOR INDIVIDUAL OR BRIDGED RINGING.

* INSULATE AND STORE
 † NETWORK TERMINALS UNLESS OTHERWISE INDICATED.
 ‡ POLARITY GUARD TERMINAL.

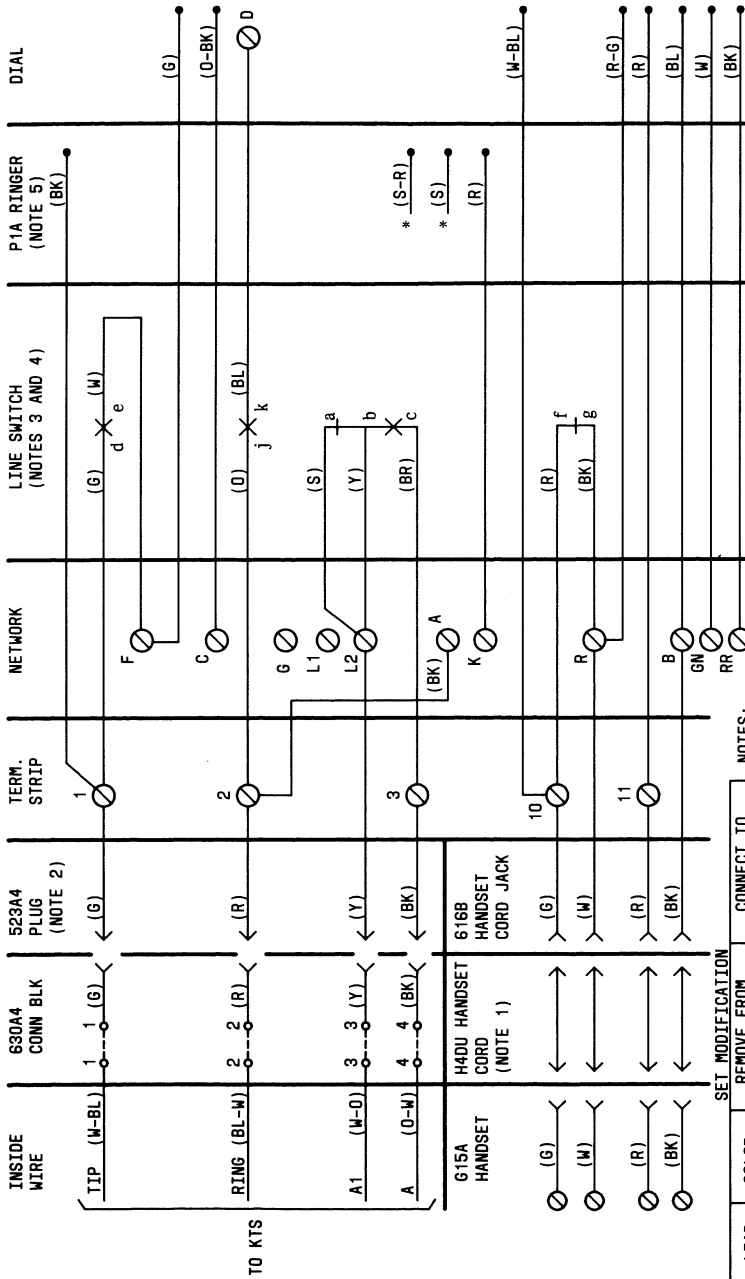
Fig. 12—2554BMPG Telephone Set Equipped With 4228K Network and 35-Type Dial Modified for A-Lead Control



NOTES:

1. () INSIDE WIRE COLOR CODE
 - [] D-STATION WIRE COLOR CODE
 2. INSIDE WIRE CONDUCTOR SHALL BE CONNECTED TO THE GROUND TERMINAL AT THE PROTECTOR OR EQUIVALENT ONLY IF REQUIRED FOR SERVICE BEING INSTALLED.
 3. QUICK CONNECT TERMINALS ON 630A4 CONN BLOCK.
 4. WIRE FOR BRIDGED RINGING, REFER TO TABLE B FOR ALL OTHER CLASSES OF SERVICE.
 5. H4DU CORD MUST BE ORDERED SEPARATELY.
- * INSULATED AND STORED

Fig. 13—2554BMP or 2554BMPG Telephone Set Equipped With 4010D Network and 72-Type Dial, Connections



SET MODIFICATION

LEAD	COLOR	REMOVE FROM TERM. STRIP NET.	CONNECT TO TERM. STRIP NET.
523A4 PLUG (NOTE 2)	G (TIP)		1
	R (RING)		2
	Y (A1)	3	L2
	BK (A)		3
LINE SWITCH (NOTE 4)	Y	A	L2
	O	L2	L2
	BL	L2	2
	BR	St	3

- NOTES:
- H4DU CORD MUST BE ORDERED SEPARATELY.
 - REPLACE 523A3 PLUG WITH 523A4 PLUG, ORDERED SEPARATELY.
 - TO PREVENT FALSE HOLD CONDITION WHEN GOING ON-HOOK, THE TIP AND RING CONTACTS OF THE LINE SWITCH MUST BREAK BEFORE "A" LEAD CONTACTS. (FIELD ADJUSTMENT OF LINE SWITCH NOT RECOMMENDED).
 - IF SET DOES NOT HAVE (O) AND (BL) LINE SWITCH LEADS, CONNECT STRAP FROM TERMINAL 2 TO TERMINAL D ON DIAL.
 - WIRED FOR INDIVIDUAL OR BRIDGED RINGING.

* INSULATE AND STORE
 † POLARITY GUARD TERMINAL
 ‡ DIAL TERMINAL

Fig. 14—2554BMP or 2554BMPG Telephone Set Equipped With 4010D Network and 72-Type Dial Modified for A-Lead Control

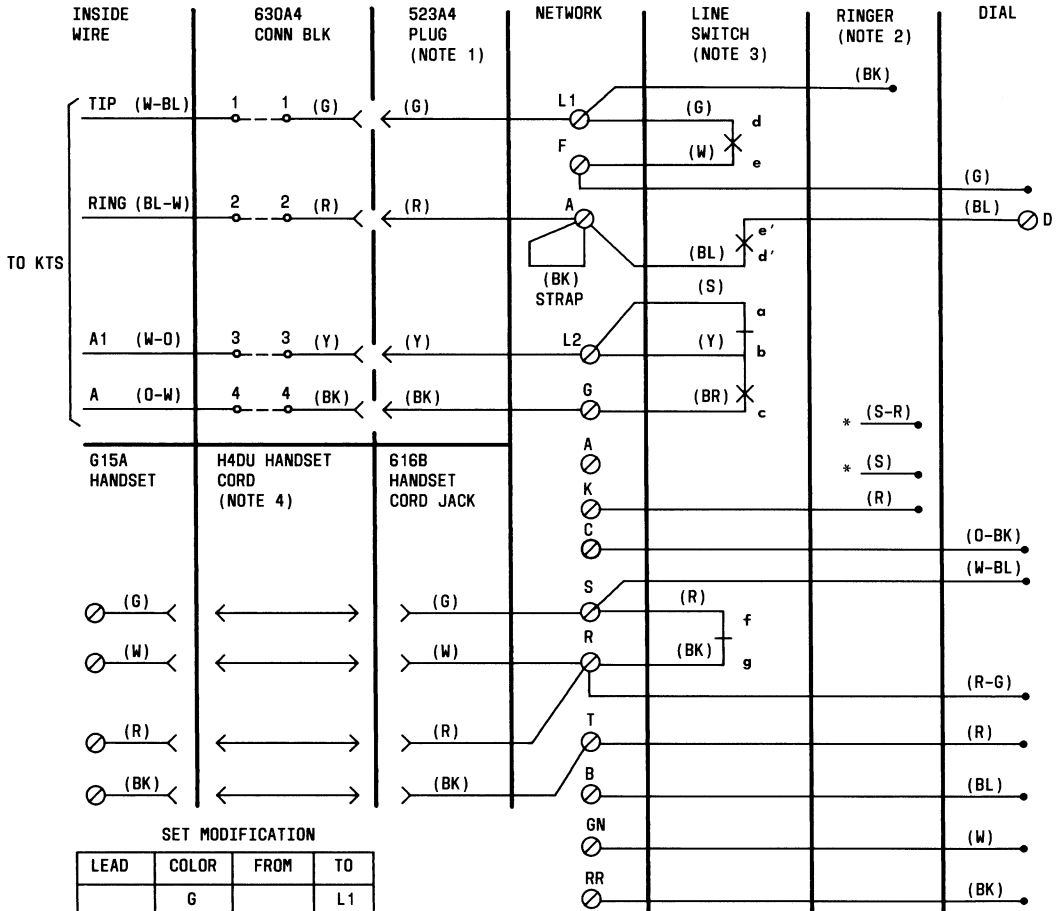


Fig. 16—2554BMP or 254BMPG Telephone Set Equipped 4228K Network and 72-Type Dial Modified for A-Lead Control

TABLE A
POLARITY GUARD CONNECTIONS (SEE NOTE)

POLARITY GUARD	WIRE LEAD	COLOR	REMOVE FROM NET.	CONNECT TO	
				NET.	POLARITY GUARD
D-180190 (MD) and D-180547 (MD) Kit of Parts*	Line Switch	W	F		T
		BR	C		S
	Polarity Guard	G		F	
		W		C	
D-180896 Kit of Parts	Line Switch	W	F		T
		BR	C		S
	Polarity Guard	G		F	
		W		C	

Note: For use with 35-type dial when specified by local instructions for end-to-end signaling installation.

* D-180547 guard assembly is used only on sets with plug-in type baseplates.
D-180190 guard assembly may be used on early version sets only.

TABLE B
LINE AND RINGER CONNECTIONS FOR SETS EQUIPPED WITH 4010D NETWORK

WIRE OR LEAD		COLOR	INDIV OR BRIDGED	RING PARTY	TIP PARTY		
					NO. ID GROUND	ID GRD.	
						1000Ω	2650Ω
Line Wire or 523A3 Plug Assy Leads*	Tip	G	1	1	2	2	2
	Ring	R	2	2	1	1	1
	Grd	Y	3	3	3	3	3
Ringer Leads†		BK	1	3	3	3	3
		S	§	§	§	B	§
		S-R	§	§	§	§	B
Line Switch		W‡	F	F	C	C	C
		BR‡	C	C	F	F	F
BK Strap			2-A	2-A	2-A	A-A	A-A

* 523A3 plug assembly does not have a (BK) lead, if equipped, insulate and store lead.

† To silence ringer for all classes of service, refer to appropriate ringer section in Division 501.

‡ This change does not apply to sets equipped with a 35-type dial and polarity guard or 72-type dial (2554BMPG) sets.

§ Insulate and store.

TABLE C

LINE AND RINGER CONNECTIONS FOR SETS EQUIPPED WITH 4228-TYPE NETWORK

WIRE OR LEAD		COLOR	INDIV OR BRIDGED	RING PARTY	TIP PARTY		
					NO. ID GROUND	ID GRD.	
						1000Ω	2650Ω
Line Wire or 523A3 Plug Assy Leads*	Tip	G	L1	L1	L2	L2	L2
	Ring	R	L2	L2	L1	L1	L1
	Grd	Y	G	G	G	G	G
Ringer Leads†		BK	L1	G	G	G	G
		S	§	§	§	B	§
		S-R	§	§	§	§	B
Line Switch		W‡	F	F	C	C	C
		S	L2¶	L2¶	L2¶	A	A
		BR‡	C	C	F	F	F
BK Strap			L2-A	L2-A	L2-A	A-A	A-A

* 523A3 plug assembly does not have a (BK) lead.

† To silence ringer for all classes of service, refer to appropriate ringer section in Division 501.

‡ This change does not apply to sets equipped with a 35-type dial and polarity guard or 72-type dial (2554BMPPG) sets.

§ Insulate and store.

¶ On early version sets (S) line switch lead is connected to A of network.

♦TABLE D♦

**MODIFICATION TO REPLACE 35-TYPE DIAL WITH
72-TYPE DIAL IN 2554BMP
OR 2554BMPG TELEPHONE SET NON-KTS**

WIRE OR LEAD	COLOR	REMOVE FROM NET. TERM. OR TERM. STRIP (35-TYPE DIAL)	CONNECT TO NET. TERM. OR TERM. STRIP (72-TYPE DIAL)
Dial	W	GN	GN
	W-BL	10 or S	10 or S
	O-BK	C	C
	BK	RR	RR
	R	11 or T	11 or T
	BL	B	B
	R-G	R	R
	G	F	F
Line Switch	BR	C or S†	D‡
	W	F or T†	F
616-Type Handset Cord Jack	R	T or 11	R
	BK	B	T
Polarity Guard*	G	F	—
	W	C	—

* Polarity guard should be removed from telephone set.

† Polarity guard terminal.

‡ 72-type dial terminal.